

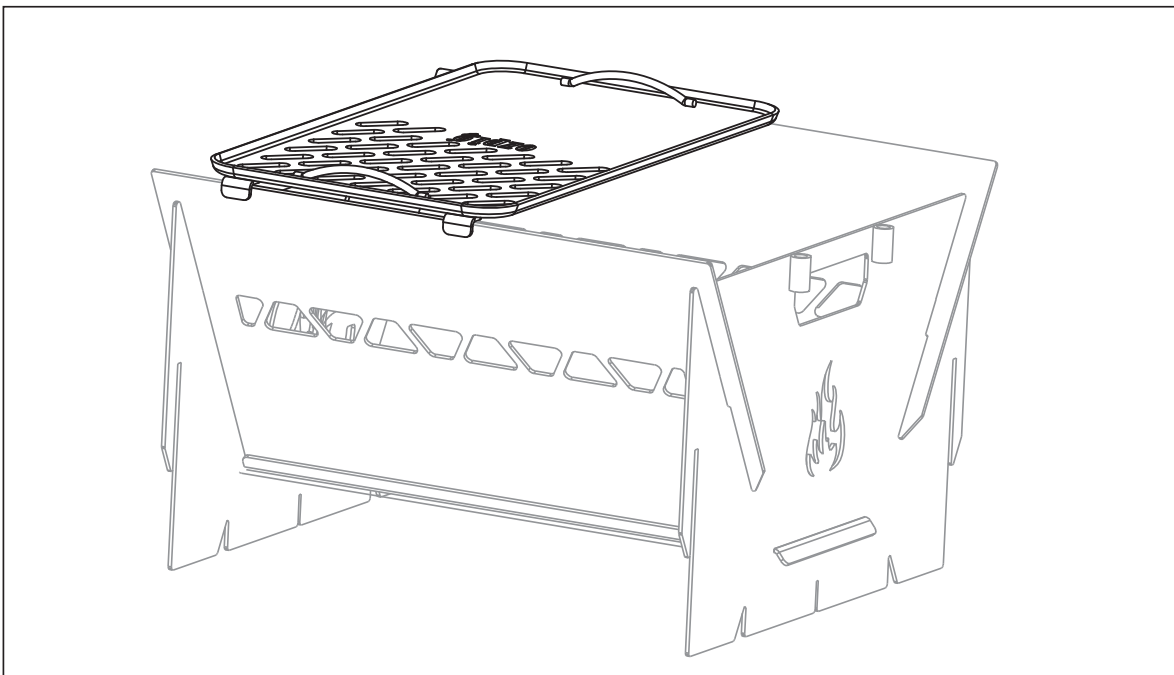


3-in-1 Fire Pit Combo Cooking Plate

IMPORTANT READ BEFORE USE

USING THE COMBO COOKING PLATE

1. Before use, rinse in warm water and dry thoroughly.
2. Light the Fire Pit, place the cooking plate on the Fire Pit and allow any residual smoke to pass.
3. Oil the cooking plate.
4. Use only wooden, plastic or nylon utensils to avoid scratching the coating.
5. DO NOT use metal scourers, metal utensils or abrasive cleaners when cleaning the cooking plate.
6. Always clean and dry the cooking plate before storing.
7. Allow the cooking plate to cool completely before storing.



PRODUCT CODE: OZP-FP022-03



WARRANTY – For details see www.ozpig.com.au/warranty